

Safety Notes

Take extreme care not to damage the fibre – *do not bend or twist the connectors*.

Longer fibres can be supplied up to 200m – this allows the MC01 to be located close to the residential Router – the longer cable is ideal for isolating the music room and is especially valuable when the Router and music room are in separate buildings. *Please consult your dealer.*

When removing the SFP adapters take care – there is a small handle to ease the task. *Do not force anything.*

MC01 can be used with a dataswitch which does not have an SFP port. In this case an accessory kit comprising a second MC01 and a power splitter can be purchased. *Please contact your dealer.*

There are no user serviceable parts inside any of the components. Opening any part of the kit invalidates warranty.

None of the components are to be used outdoors.



AUDIOPHILE
DIGITAL OPTICAL
TECHNOLOGY

MC01
FIBRE NETWORK KIT

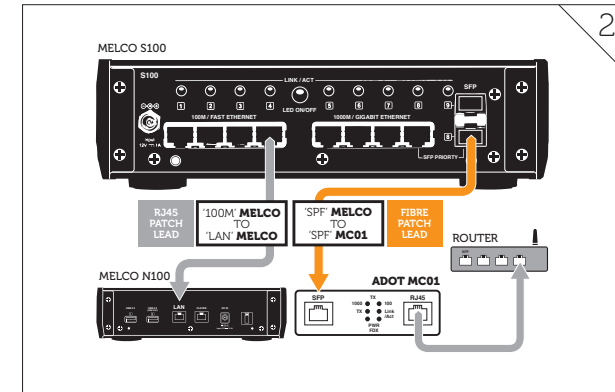
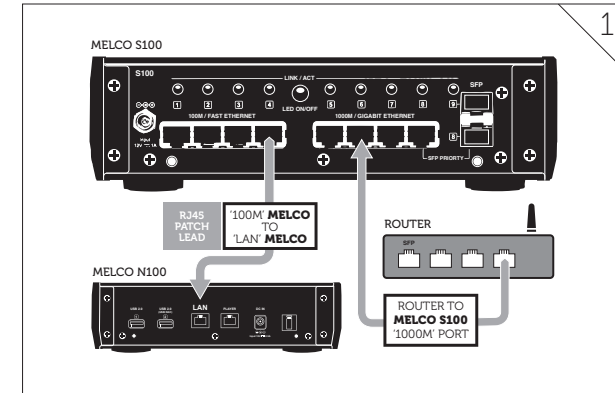
How to use the ADOT MC01 Fibre Kit with the MELCO S100 dataswitch

[1] [2]

Normal connection of the Melco S100 is to connect to the residential network using a **RJ45 patch cord** between the Router and one of the 100Mb Ethernet ports.

The rest of the configuration depends on the precise application of Melco Music Library and Streamer – this is not changed when using the MC01 kit.

The MC01 kit is placed between the Residential Router and the Melco, now using one of the Melco SFP ports rather than a 1000Mb Ethernet port. This allows the Fibre kit to isolate the Audio Network from the rest of the residential network.



Contents of the MC01 kit.

- MC01 Media converter [3]
- Power supply for MC01
*MC01 kit is universal voltage adapter
MC02 kit is 230V AC only linear supply*
- 2 x ADOT3450D 590nm SFP fibre adapters [4]
- 1.5m duplex fibre – 1.5m [5]



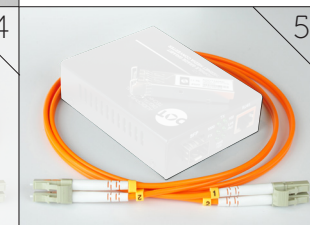
3

Patch Lead Key

- RJ45 Patch Lead ●
- FIBRE Patch Lead ●



4



5



AUDIOPHILE DIGITAL
MUSIC MASTERS LTD
Sandy Farm Business Centre,
Sands Road FARNHAM,
Surrey GU10 1PX

sales@admm.uk.com
www.audiophiledigitalmusicmasters.com
VAT 319 7235 89

Concept and originalation in the UK.
Manufactured in China.

Preparing the Melco S100 [6]

To protect the sensitive optical converter the SFP port is plugged with a rubber seal.

Remove this seal before use.

Remove the RJ45 patch lead currently connecting the 100Mb port to the residential network.



Preparing the Fibre link [7]

To protect the sensitive optical converter the SFP port is plugged with a rubber seal.

Remove this seal before use.

The mains power supply is connected to the rear 5VDC port.

The default switch settings will allow for operation when the connections are made.



Preparing the SFP fibre adapters [8]

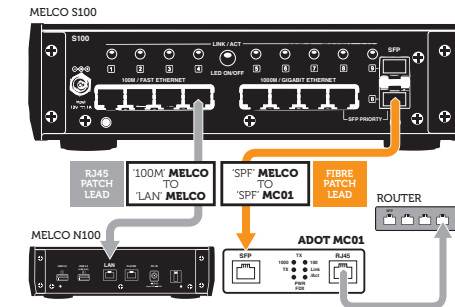
There are protective plugs in place during shipping to protect the sensitive optical devices. The plugs are removed before use.



Building the SFP system [9] [10]

Install one of the SFP adapters into one of the SFP ports on the Melco S100. Install the other SFP adapter into the SFP port on the MC01 Media Converter. Remove the rubber seals from the end of the fibre, unwind it carefully, and insert each end into the SFP adapters. [9]

Finally connect the RJ45 cable that was connected to the 100Mb port of the Melco to the RJ45 port on the front of the MC01.



Switch on power to S100 and the power adapter of the MC01. The POWER and FDX lights on the MC01 will illuminate to confirm.

After a short period for the processors to boot the link will establish and will be confirmed by the indicators.

The S100 will operate as before, but with enhanced sound quality of course.

Depending on the comms situation between the Router (on the RJ45) and the S100 it may be possible to set the ports to 100Mb by setting the DIP switches 3 and 4 to ON. [10]

